

TEAC



SERVICE MANUAL

RW-D280



CD Recorder

CONTENTS

1 SPECIFICATIONS	2
2 EXPLODED VIEWS AND PARTS LIST	3
3 PC BOARDS AND PARTS LIST	8
4 INCLUDED ACCESSORIES	15

目次

1 仕様	2
2 分解図とパーツリスト	3
3 基板図とパーツリスト	8
4 付属品	15

NOTES

- PC boards shown are viewed from parts side.
- The parts with no reference number or no parts number in the exploded views are not supplied.
- As regards the resistors and capacitors, refer to the circuit diagrams contained in this manual.
- △ Parts marked with this sign are safety critical components. They must be replaced with identical components - refer to the appropriate parts list and ensure exact replacement.
- Parts of [] mark can be used only with the version designated.
[J]: JAPAN [US]: U. S. A. [C]: CANADA [E]: EUROPE [UK]: U. K.

注 意

- プリント基板図は部品面を示しています。
- 分解図に部番のない部品および品番のない部品は供給できません。
- 標準の抵抗、コンデンサーは省略してあります。
回路図を参照してください。
- △印は安全重要部品です。
交換する時は必ず指定の部品を使用してください。
- 仕向先
[J]: JAPAN [US]: U. S. A. [C]: CANADA [E]: EUROPE [UK]: U. K.

1 SPECIFICATIONS

仕様

Media type	CD-RW and CD-R for Digital audio (record and playback), CD (playback only)	記録メディア	音楽用CD-R/CD-RW
Frequency converter input sampling frequency	32kHz~48kHz	入力サンプリング周波数	32kHz~48kHz
Recording sampling frequency	44.1kHz	録音サンプリング周波数	44.1kHz
Frequency response	20Hz~20kHz (playback:±1.5dB, recording:±1.5dB)	周波数特性	20Hz~20kHz (再生時:±1.5dB、記録時:±1.5dB)
Signal to noise ratio	More than 92dB (playback) More than 86dB (recording)	S/N比	92dB以上(再生時) 86dB以上(記録時)
Dynamic range	More than 92dB (playback) More than 86dB (recording)	ダイナミックレンジ	92dB以上(再生時) 86dB以上(記録時)
Total Harmonic Distortion	Less than 0.01% (playback) Less than 0.02% (recording)	歪率	0.01%以下(再生時) 0.02%以下(記録時)
Wow & flutter	Unmeasurable	ワウ・フラッター	測定限界以下
Audio Input Sensitivity/Impedance	LINE : -6dBV (0.5V)/20kΩ	入力端子	アナログ : RCA×1系統 デジタル : RCA×1系統、TOS×1系統
Output Level/Impedance	LINE : -6dBV (0.5V)/1kΩ	出力端子	アナログ : RCA×1系統、ヘッドホン×1 デジタル : RCA×1系統、TOS×1系統
Maximum output level	LINE :+6dBV (2.0V)	ライン入力	入カインピーダンス : 20kΩ 規定入力レベル : -6dBV(0.5V)
Power supply.....	120/230 V AC, 50/60Hz (General export model) 230 V AC, 50Hz (Europe model)	ライン出力.....	出カインピーダンス : 1kΩ 規定出力レベル : -6dBV(0.5V) 最大出力レベル : +6dBV(2.0V)
Power consumption	20 W	電源	AC100V、50-60Hz
Dimensions (W x H x D)	435 x 102 x 320 mm (17-1/8" x 4" x 12-4/8")	消費電力.....	20W
Weight (Net)	5.1kg (11-3/16 lb)	外形寸法(幅×高さ×奥行).....	435×102×320mm
Standard Accessories.....	Audio signal connection cord x 1 Remote control unit x 1	質量.....	5.1kg
		動作保証温度	5℃~35℃
		付属品	リモコン(RC-781) リモコン用乾電池(単3)×2本 オーディオケーブル(RCA)×2本 光デジタルケーブル(TOS)×1本

取扱説明書
保証書

仕様及び外観は改善のため予告なく変更することがあります。

SAFETY INFORMATION

This product has been designed and manufactured according to FDA regulations "title 21, CFR, chapter 1, subchapter J, based on the Radiation Control for Health and Safety Act of 1968", and is classified as a class 1 laser product. There is no hazardous invisible laser radiation during operation because invisible laser radiation emitted inside of this product is completely confined in the protective housings. The label required in this regulation is shown ①.

● CAUTION

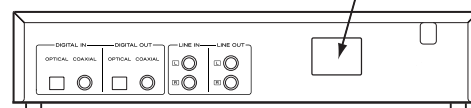
USE OF CONTROLS OR ADJUSTMENT OR PERFORMANCE OF PROCEDURES OTHER THAN THOSE SPECIFIED HEREIN MAY RESULT IN HAZARDOUS RADIATION EXPOSURE.

Optical pickup:	Material	: Ga-Al-As
	Wavelength	: 765 - 815nm (25°C) (Play) 780 - 786nm (25°C) (Record)
	Laser output	: Continuous wave max. 5mW (Play) Continuous wave max. 40mW (Record)

① For U.S.A.

CERTIFICATION

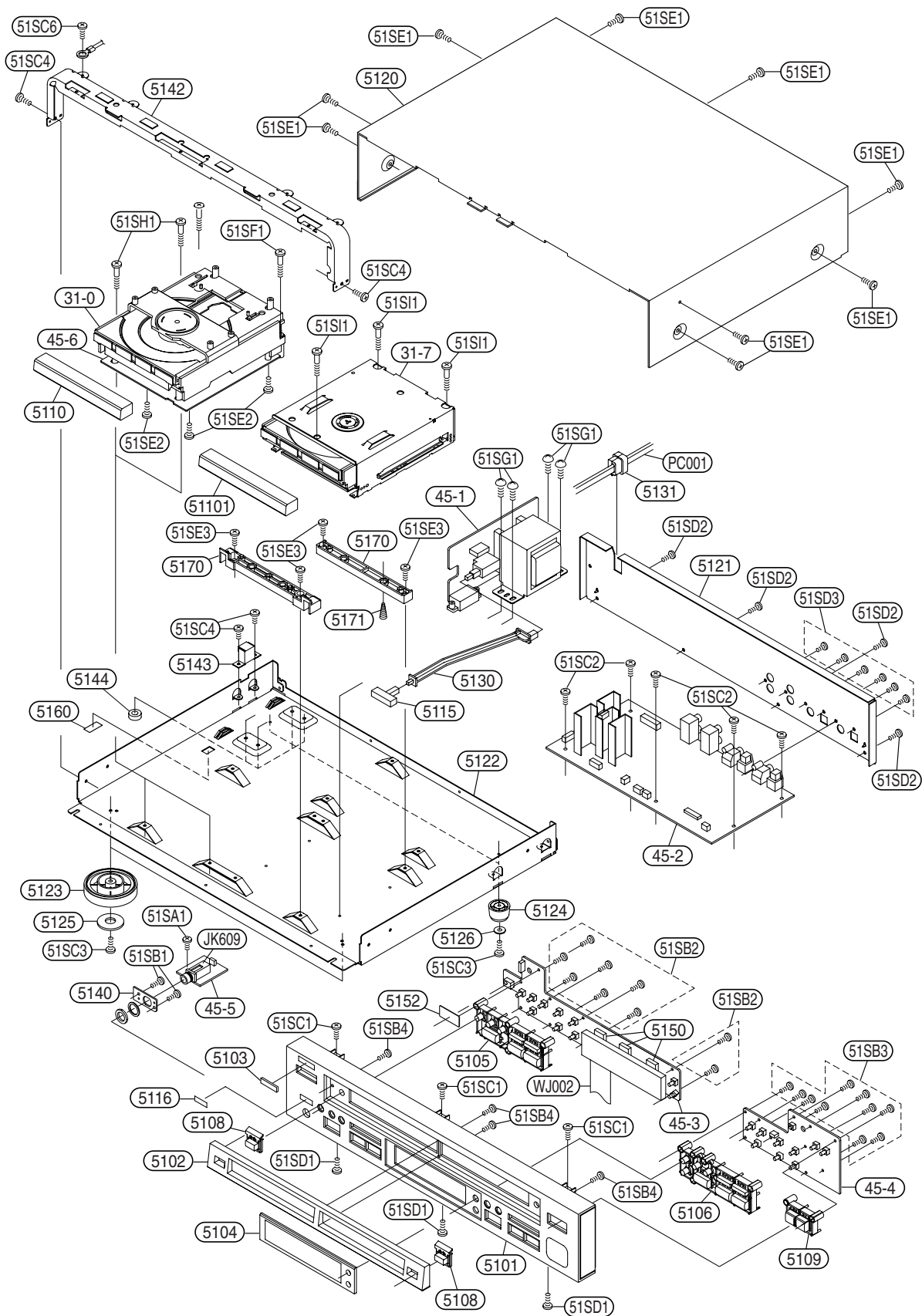
THIS PRODUCT COMPLIES WITH DHHS
RULES 21 CFR SUBCHAPTER J APPLI
CABLE AT DATE OF MANUFACTURE
TEAC CORPORATION
3-7-3 NAKA-CHO, MUSASHINO-SHI, TOKYO, JAPAN
MANUFACTURED



2 EXPLODED VIEWS AND PARTS LIST

分解図とパーツリスト

EXPLODED VIEW-1



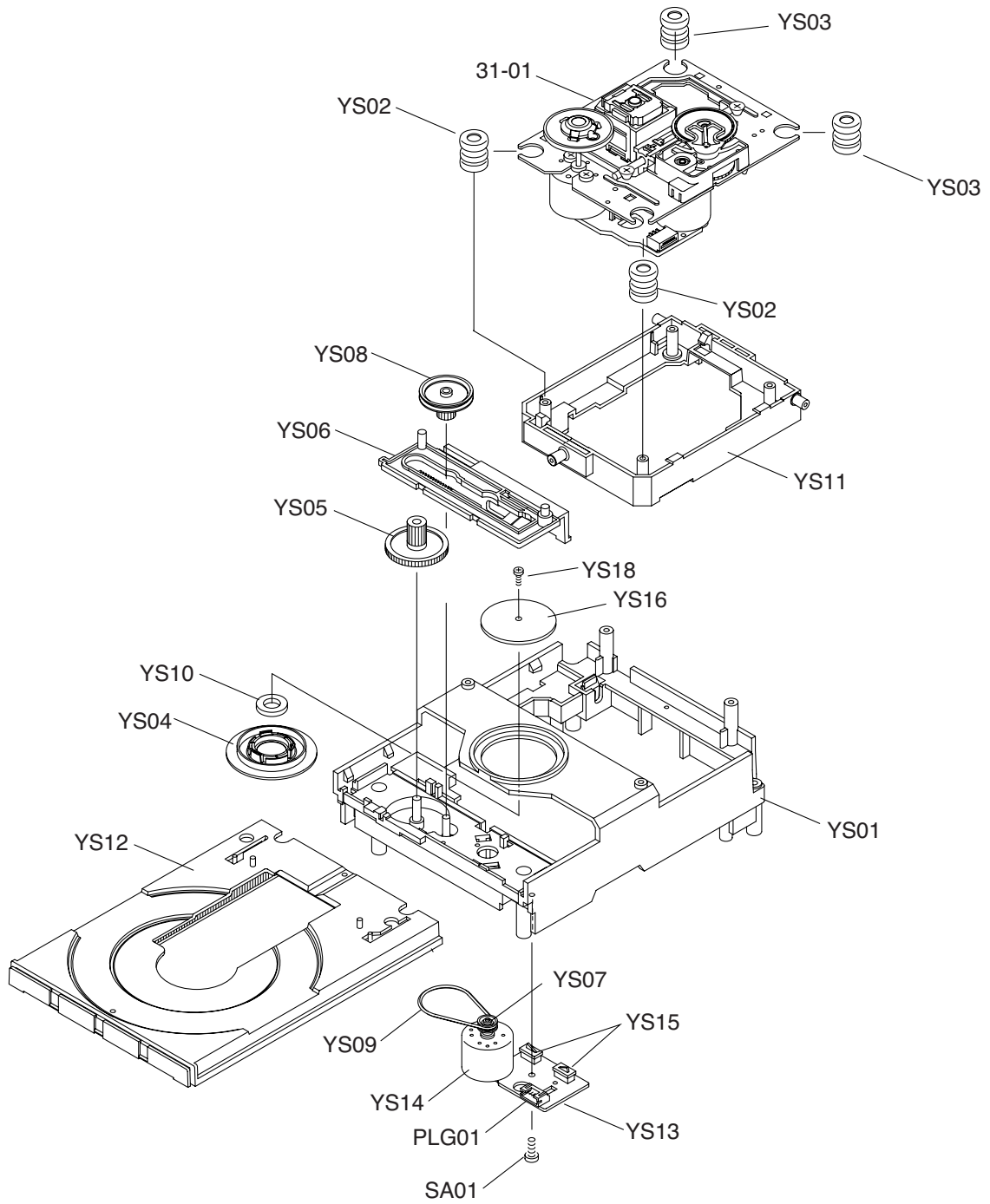
EXPLODED VIEW-1

REF. NO.	PARTS NO.	DESCRIPTION	REMARKS
31-0	9A09220900	MECHA, CD11FTN	CEC0991004601
31-7	9A09092500	CRD-RA2	13805400
45-1	9A08625710	ASSY PCB POWER, 100V [J]	CEC0B10030100
	9A08625700	ASSY PCB POWER, 120/230 [US, C]	CEC0B10030130
	9A08625720	ASSY PCB POWER, 230V [E]	CEC0B10030140
	9A08625740	ASSY PCB POWER, 230V [UK]	CEC0B10030141
45-2	9A09220800	ASSY PCB IN OUT	CEC0B10032200
45-3	9A08625900	ASSY PCB DISPLAY	CEC0B10030300
45-4	9A08626000	ASSY PCB KEY	CEC0B10030400
45-5	9A08626100	ASSY PCB H. P.	CEC0B10030500
45-6	9A09220700	ASSY PCB SERVO	CEC0B10031600
5101	9A09221000	ESCUTCHEON [J]	CEC2141003515
	9A09221010	ESCUTCHEON [US, C, E, UK]	CEC2141003516
5102	9A08687700	PANEL, TRAY [J]	CEC2155000911
	9A08627200	PANEL, TRAY [US, C, E, UK]	CEC2155000910
5103	9A08687800	BADGE [J, US, C]	CEC2163004001
	9A08667500	BADGE [E, UK]	CEC2163004000
5104	9A08627300	WINDOW	CEC2164006510
5105	9A08687900	BUTTON, PLAY, LEFT [J]	CEC2175013011
	9A08627400	BUTTON, PLAY, LEFT [US, C, E, UK]	CEC2175013010
5106	9A08688000	ASSY, BUTTON, PLAY, RIGHT [J]	CEC0175013111
	9A08626500	ASSY, BUTTON, PLAY, RIGHT [US, C, E, UK]	CEC0175013110
5108	9A08688100	BUTTON, OPEN [J]	CEC2175013211
	9A08627500	BUTTON, OPEN [US, C, E, UK]	CEC2175013210
5109	9A08688200	BUTTON, LEVEL [J]	CEC2175013310
	9A08627600	BUTTON, LEVEL [US, C, E, UK]	CEC2175013300
5110	9A08688300	DECORATION, TRAY [J]	CEC2144004112
	9A08626900	DECORATION, TRAY [US, C, E, UK]	CEC2144004110
51101	9A08688400	DECORATION, TRAY [J]	CEC2144004113
	9A08627000	DECORATION, TRAY [US, C, E, UK]	CEC2144004111
5115	9A08696200	KNOB, PUSH [J]	CEC2174004612
	9A07348500	KNOB, PUSH [US, C, E, UK]	CEC2174004600
5116	9A08628500	FILTER, IR	CEC2431001800
5120	9A08696300	COVER, TOP [J]	CEC2121004101
	9A08626700	COVER, TOP [US, C, E, UK]	CEC2121004100
5121	9A09221100	PANEL, REAR [J]	CEC2153002522
	9A09221110	PANEL, REAR [US, C]	CEC2153002523
	9A09221120	PANEL, REAR [E, UK]	CEC2153002524
5122	9A08627700	CHASSIS	CEC2311007300
5123	9A06844600	LEG	CEC2251003001
5124	9A07078300	LEG	CEC2251003500
5125	9A06846800	FELT, LEG	CEC2571000300
5126	9A07080000	FELT	CEC2571001700
5130	9A08628200	JOINT	CEC2351002100
5131	△ 9A06846200	BUSHING, NIFCO 2271	CEC2446000200
5140	9A08627800	BRACKET-E, JACK, L	CEC2321001100
5142	9A08627900	BRACKET-M, TOP	CEC2322001501
5143	9A08628000	BRACKET-M, STOPPER	CEC2322001900
5144	9A07354800	FELT, PL	CEC2571002500
5150	9A08628600	PAD, FLT	CEC2448003700
5152	9A07079800	SHEET, IR	CEC2462011300
5160	9A08696500	SHEET, CHASSIS [J, E, UK]	CEC2462011900
5170	9A09092600	ASSY, SPACER, MACHA	CEC0441008300
5171	9A09221300	SPRING, COMP	CEC2812002100

EXPLODED VIEW-1

REF. NO.	PARTS NO.	DESCRIPTION	REMARKS
51SA1	9A06855600	SCREW, S-TPG BIN 2.6X6	SFBDN266R0SE-
51SB1	9A07073500	SCREW, S-TPG BIN 2.6X8	SFBDN268R0SE-
51SB2	9A07073500	SCREW, S-TPG BIN 2.6X8	SFBDN268R0SE-
51SB3	9A07073500	SCREW, S-TPG BIN 2.6X8	SFBDN268R0SE-
51SB4	9A07073500	SCREW, S-TPG BIN 2.6X8	SFBDN268R0SE-
51SC1	9A01589800	SCREW, S-TPG BIN M3X6	SFBDN306R0SE-
51SC2	9A01589800	SCREW, S-TPG BIN M3X6	SFBDN306R0SE-
51SC3	9A01589800	SCREW, S-TPG BIN M3X6	SFBDN306R0SE-
51SC4	9A01589800	SCREW, S-TPG BIN M3X6	SFBDN306R0SE-
51SC6	9A01589800	SCREW, S-TPG BIN M3X6	SFBDN306R0SE-
51SD1	9A01583400	SCREW, S-TPG BIN M3X6	SFBDN306R0SM-
51SD2	9A01583400	SCREW, S-TPG BIN M3X6	SFBDN306R0SM-
51SE1	9A08640200	SCREW, S-TPG BIN 3X10	SFBDN30100SM-
51SE2	9A08640200	SCREW, S-TPG BIN 3X10	SFBDN30100SM-
51SE3	9A08640200	SCREW, S-TPG BIN 3X10	SFBDN30100SM-
51SF1	9A08640300	SCREW, S-TPG BIN 3X35	SFBDN30350SE-
51SG1	9A06856000	SCREW, S-TPG TR S4X6	SFSTN406R0SE-
51SH1	9A07086500	SCREW, S-TPG BIN 3X25	SFBDN30250SE-
51S11	9A09223300	SCREW, S-TPG BIN 3X30	SFBDN30300SE-
JK609	9A08630100	JACK, H. P.	CEC4J12003200
PC001	△ 9A07275100	POWER CORD [J]	CEC4W10005600
PC001	△ 9A07506100	POWER CORD [US, C]	CEC4W10006000
PC001	△ 9A09196200	POWER CORD [E]	CEC4W10006300
PC001	△ 9A07258200	POWER CORD [UK]	CEC4W10004700
WJ002	9A08632600	WIRE, JUMPER, 29P	CEC4W30009602

EXPLODED VIEW-2



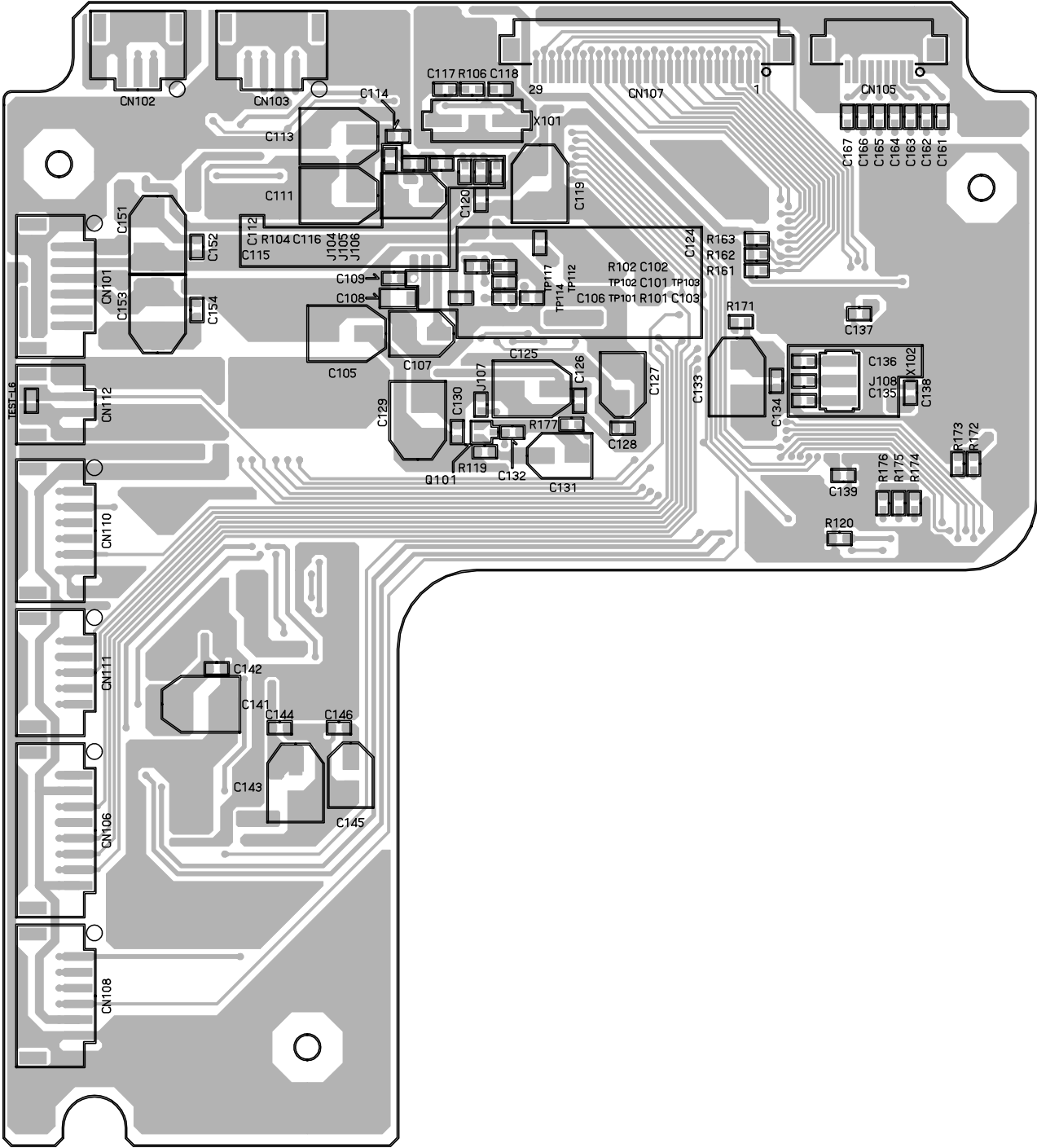
EXPLODED VIEW-2 (CD11FTN)

REF. NO.	PARTS NO.	DESCRIPTION	REMARKS
31-01	9A09093000	MECH ASSY, DA11T3CN	
PLG01	9A02682700	PLUG, 5P	
SA01	9A07071100	SCREW, S-TPG BIN 3X8	
YS01	9A08641500	CHASSIS, FRAME	
YS02	9A08438700	CUSHION, RUBBER	
YS03	9A08438800	CUSHION, RUBBER	
YS04	9A06846400	HOLDER, DISC	
YS05	9A08641600	GEAR, DRIVE	
YS06	9A08641700	GEAR, SLIDE	
YS07	9A08641800	PULLEY, MOTOR	
YS08	9A08641900	PULLEY, GEAR	
YS09	9A08642000	BELT, SQUARE	
YS10	9A06847000	MAGNET	
YS11	9A08642100	LIFTER, MECHA	
YS12	9A08642200	TABLE, LOADING	
YS13	9A08642300	PWB, MOTOR	
YS14	9A08642800	MOTOR, 6V, SPINDLE	
YS15	9A08642900	SWITCH, PUSH 2-1	
YS16	9A02677700	YOKE, MAGNET	
YS18	9A03303500	SCREW, S-TPG PIN M2X4	

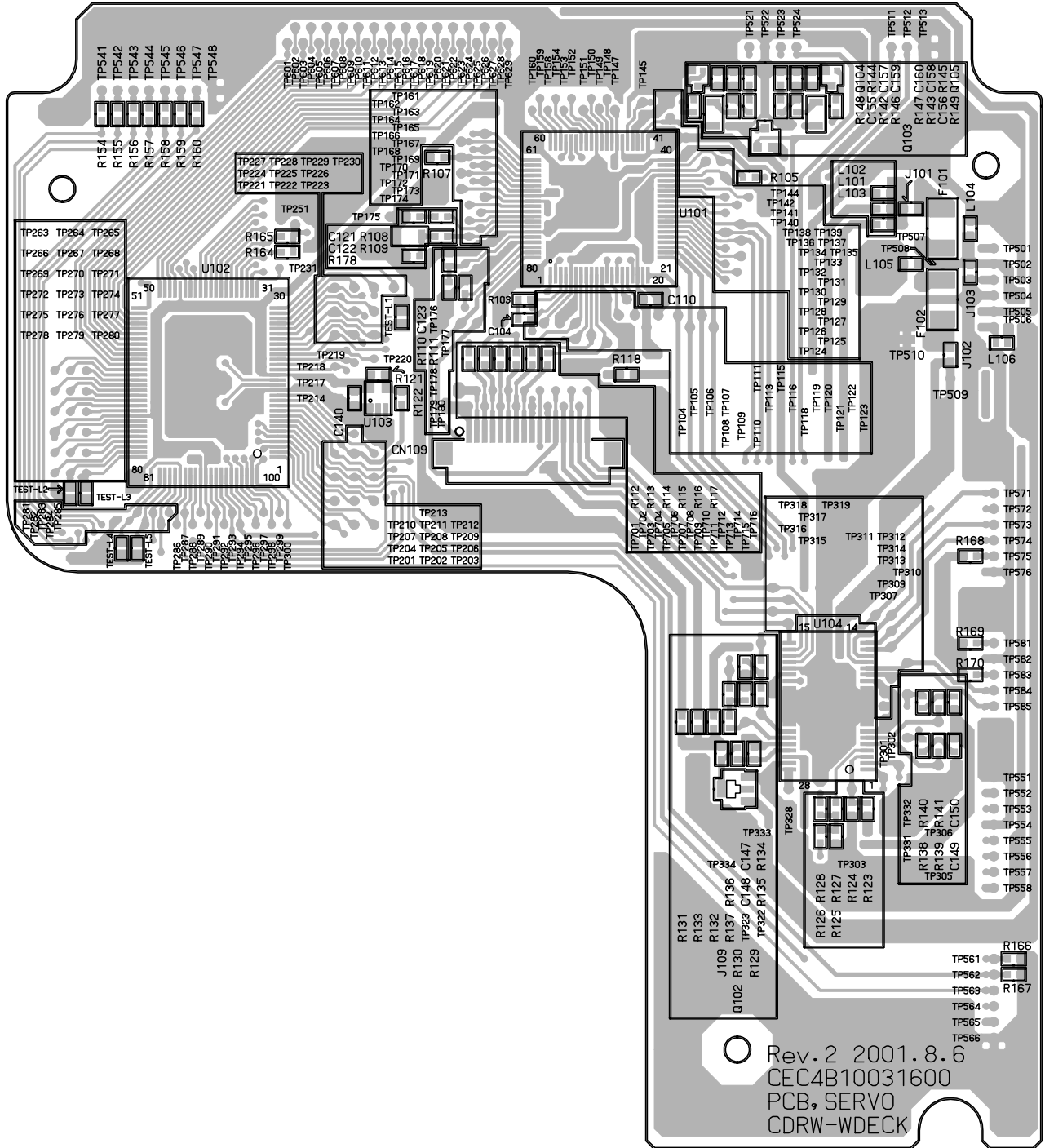
3 PC BOARDS AND PARTS LIST

基板図とパーツリスト

SERVO PCB (SIDE A)

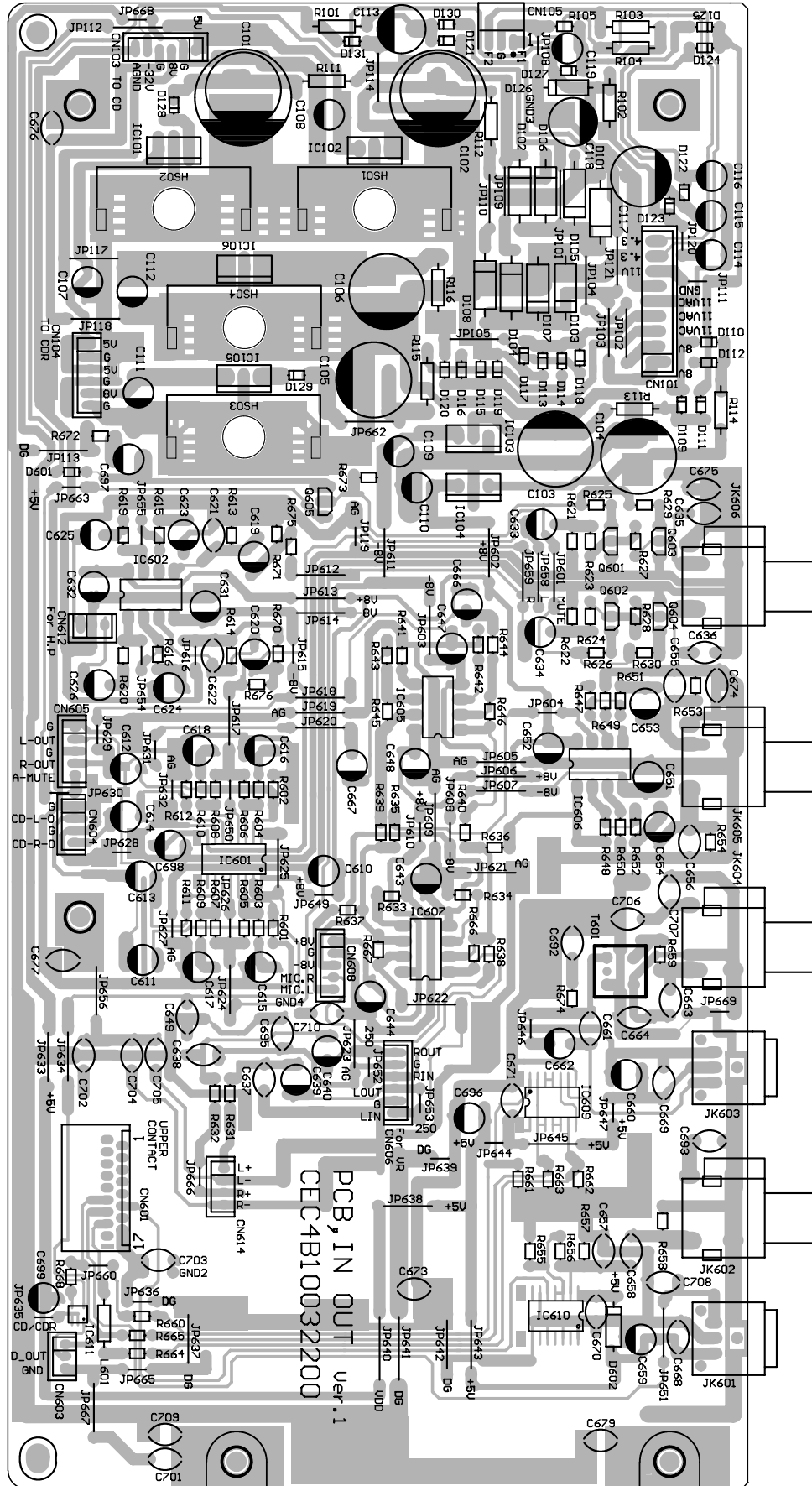


SERVO PCB (SIDE B)

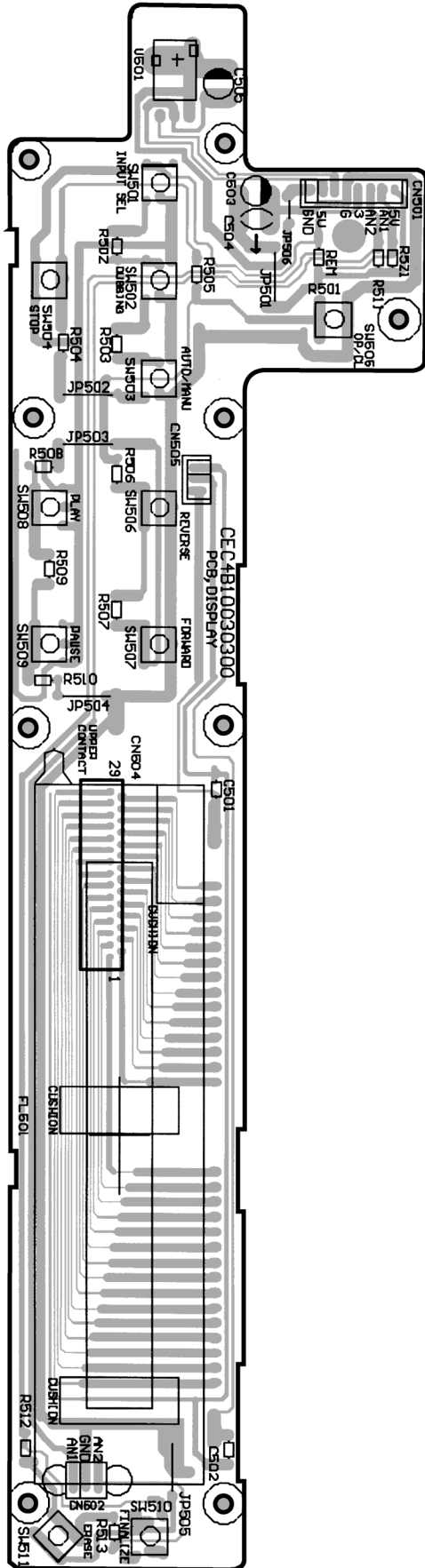


Rev.2 2001.8.6
 CEC4B10031600
 PCB, SERVO
 CDRW-WDECK

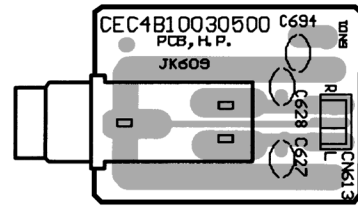
IN OUT PCB



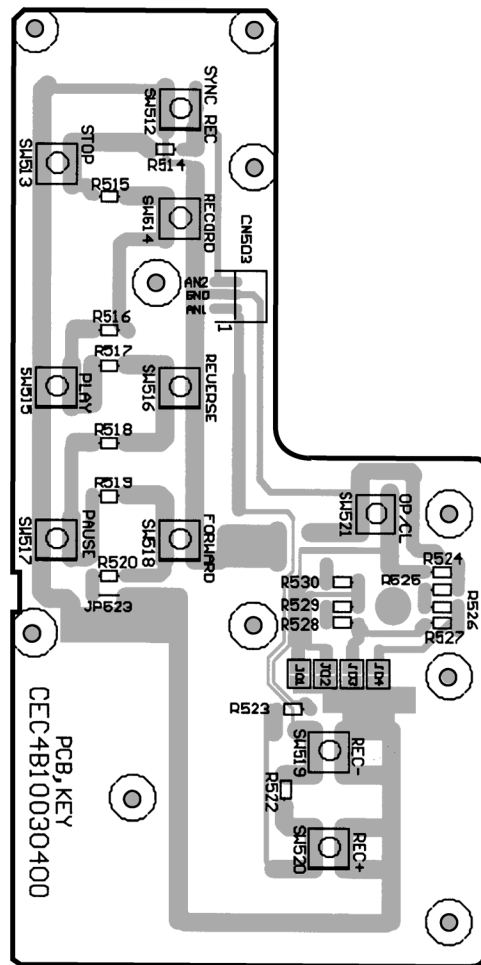
DISPLAY PCB

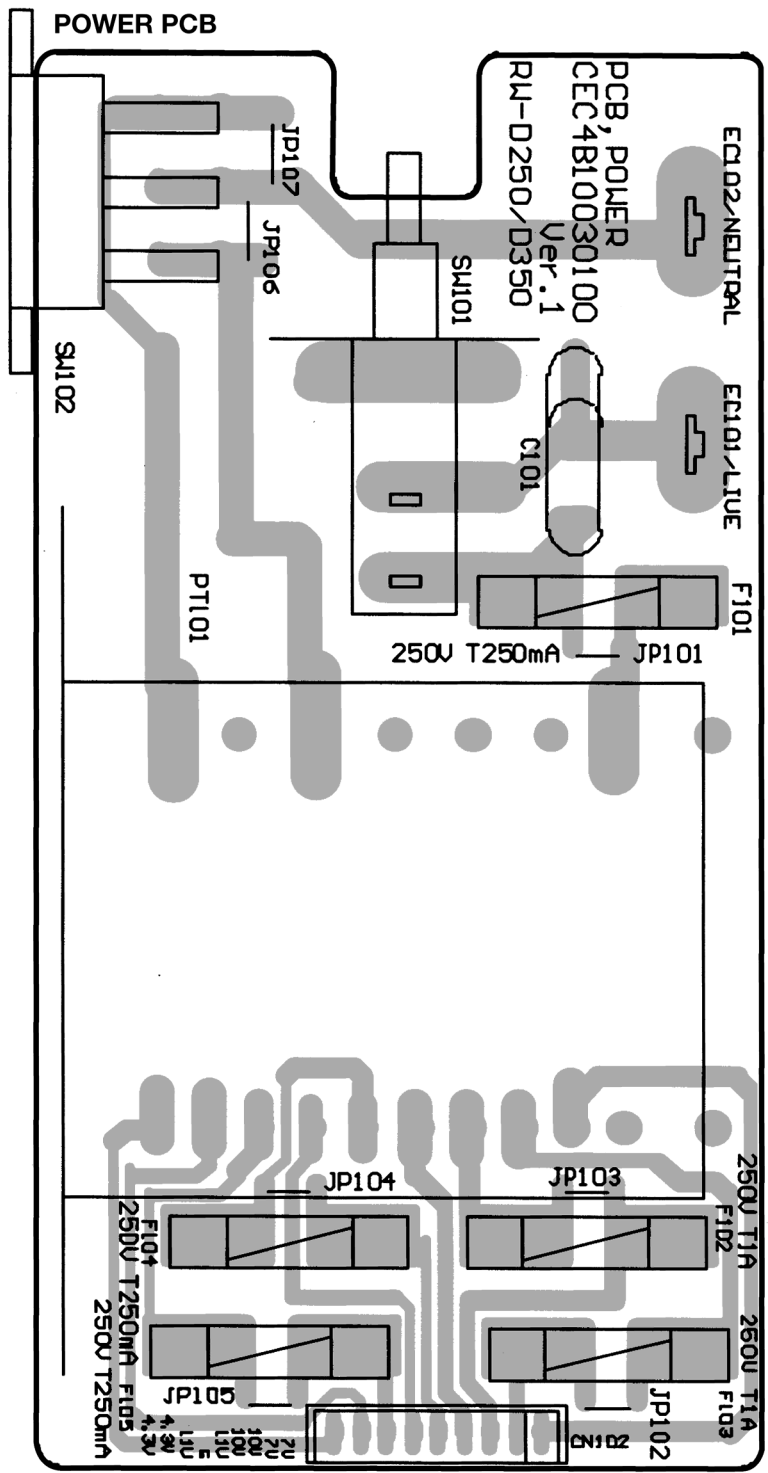


HP PCB



KEY PCB





SERVO PCB ASSY

REF. NO.	PARTS NO.	DESCRIPTION
	9A09220700	ASSY PCB SERVO
	9A09221400	PCB SERVO
CN101	9A08642500	CONNECTOR-P, 6P
CN102	9A08642600	CONNECTOR-P, 3P
CN103	9A08642700	CONNECTOR-P, 4P
CN105	9A08629800	PLUG, 9P 52793-0990
CN106	9A08629700	PLUG, 8P S8B-PH-SM3-TB
CN107	9A08630000	PLUG, 29P 52793-2990
CN108	9A08642500	CONNECTOR-P, 6P
CN109	9A08629900	PLUG, 16P 52793-1690
CN110	9A08642500	CONNECTOR-P, 6P
CN111	9A08642400	CONNECTOR-P, 5P
F101	△ 9A08697500	FUSE, 125V 2A
F102	△ 9A08697500	FUSE, 125V 2A
Q101	9A08640800	TR, 2SA1576A-R-T106
Q102	9A08641100	TR, T2SB1132-Q-T100
Q103	9A08640500	TR, DTA124EKA-T146
Q104, Q105	9A08641400	TR, 2SC4555-7
U101	9A09222600	IC, LC78645NE
U102	9A08637100	IC, LC87F66C8AU-Q1P
U103	9A08636800	IC, PST597ENR
U104	9A09222500	IC, BA5813FM
X101	9A09223400	RESONATOR, XTAL 33.8688MHZ
X102	9A08632200	RESONATOR, CSTCC 10.0MG-TC

IN OUT PCB ASSY

REF. NO.	PARTS NO.	DESCRIPTION
	9A09220800	ASSY, PCB, IN OUT
	9A09221500	PCB IN OUT
	9A08630700	CONNECTOR, 6P PH
C101, C102	△ 9A08634600	C, ELECT 4700UF/25V M
C103-C106	△ 9A08466500	C, ELECT 2200UF/25V M
C113	△ 9A02684500	C, ELECT 470UF/16V M
C114-C116	△ 9A08634800	C, ELECT 47UF/50V M
C117	△ 9A07358100	C, ELECT 22UF/50V M
CN101	9A01595500	PLUG, 9P
CN103, 104	9A00188000	PLUG, 6P PH V
CN105	9A07360300	PLUG, 3P
CN601	9A08629500	PLUG, 17P RH
CN603	9A00436900	PLUG, 3P
CN604	9A06976700	PLUG, 4P PH V
CN605	9A00436800	PLUG, 5P
CN612	9A00436900	PLUG, 3P
D101-D108	△ 9A08635900	DIODE, RL202
D109-D125	△ 9A06853300	DIODE, 1A3-I
D126	9A08636000	ZENER DIODE, 33V 1W
D127	9A08636200	ZENER DIODE, MTZJ6.2
D130	△ 9A06853300	DIODE, 1A3-I
D131	9A02276200	ZENER DIODE, MTZJ5.6B
D601, D602	9A06853400	DIODE, 1SS133-T-77
D603, D604	9A06857000	TR, 2SD1936-T-AC
D605	9A08640400	TR, DTA124-ES-TP

IN OUT PCB ASSY

REF. NO.	PARTS NO.	DESCRIPTION
HS101-104	9A00183200	PLATE HEAT SINK
IC101, 102	△ 9A06854500	IC, NJM7805FA
IC103	△ 9A08636700	IC, NJM79M08FA
IC104-106	△ 9A06854600	IC, NJM7808FA
IC601	9A08625600	IC, NJM2123M
IC602	9A06854400	IC, NJM4558D
IC605-607	9A06854400	IC, NJM4558D
IC609	9A08637000	IC, TC74HC00AF
IC610	9A08636900	IC, TC74HCU04AF
JK601	9A08632100	CONVERTOR, GP1FA550RZ
JK602	9A08630300	JAC, RCA 1P Y
JK603	9A08632000	CONVERTER, GP1FA550TZ
JK604	9A08630300	JACK, RCA 1P Y
JK605	9A08630200	JACK, RCA 2P W/R
JK606	9A08630200	JACK, RCA 2P W/R
Q601, Q602	9A06857000	TR, 2SD1936-T-AC
T601	9A02276900	TRANS, PULSE

DISPLAY PCB ASSY

REF. NO.	PARTS NO.	DESCRIPTION
	9A08625900	ASSY PCB DISPLAY
	9A08629000	PCB DISPLAY
CN504	9A08629600	PLUG, 29P RH
FL501	9A08631800	FLT, HNA-14MM14
SW501-504	9A06849200	SWITCH, TACT
SW505	9A07083200	SWITCH, TACT
SW506-511	9A06849200	SWITCH, TACT
U501	9A08629400	IC, GP1U271X
WJ002	9A08632600	WIRE, JUMPER, 29P

H.P. PCB ASSY

REF. NO.	PARTS NO.	DESCRIPTION
	9A08626100	ASSY PCB H.P.
	9A08629200	PCB H.P.
JK609	9A08630100	JACK, H.P.

KEY PCB ASSY

REF. NO.	PARTS NO.	DESCRIPTION
	9A08626000	ASSY PCB KEY
	9A08629100	PCB KEY
CN503	9A07360300	PLUG, 3P
SW512-520	9A06849200	SWITCH, TACT
SW521	9A07083200	SWITCH, TACT

POWER PCB ASSY

REF. NO.	PARTS NO.	DESCRIPTION
	9A08625710	ASSY PCB POWER, 100V [J]
	9A08625700	ASSY PCB POWER, 120/230 [US, C]
	9A08625720	ASSY PCB POWER, 230V [E]
	9A08625740	ASSY PCB POWER, 230V [UK]
	9A08628800	PCB POWER
	△ 9A09251900	FUSE, 250V 125MA [E, UK]
	△ 9A09251800	FUSE, 250V 1A [E, UK]
C101	△ 9A07080700	CAPACITOR
EC101, 102	5760663000	EC TERMINAL, 1P
F102-F105	9A07088000	FUSE HOLDER [E, UK]
PC001	△ 9A07275100	POWER CORD [J]
PC001	△ 9A07506100	POWER CORD [US, C]
PC001	△ 9A09196200	POWER CORD [E]
PC001	△ 9A07258200	POWER CORD [UK]
PT101	△ 9A08687500	POWER TRANS, 100V [J]
PT101	△ 9A08631600	POWER TRANS, 120/230 [US, C]
PT101	△ 9A09251700	POWER TRANS, 230V [E, UK]
SW101	△ 9A07083100	SWITCH, PUSH, POWER
SW102	△ 9A08631700	SWITCH, SLIDE [US, C]

4 INCLUDED ACCESSORIES

付属品

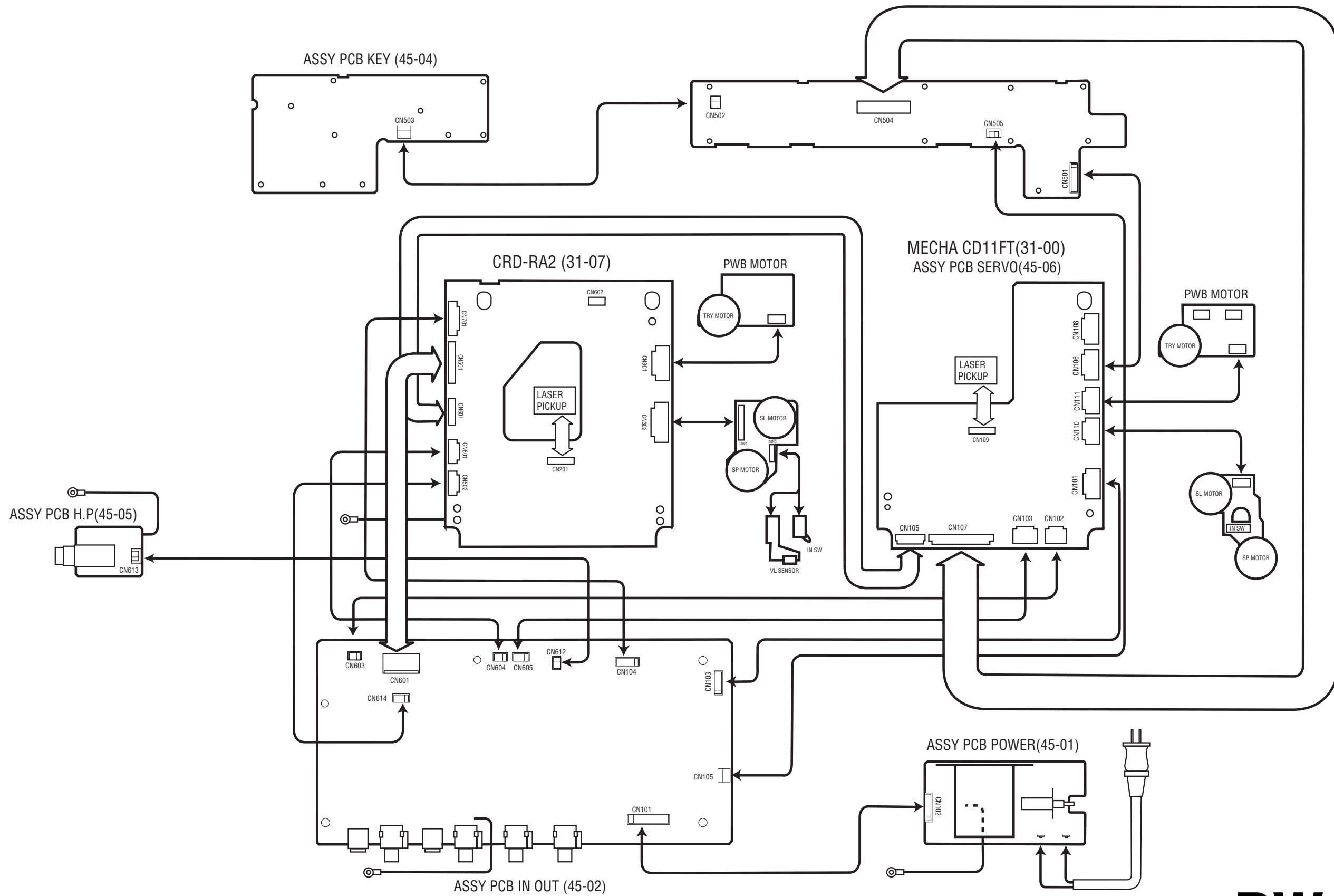
INCLUDED ACCESSORIES

REF. NO.	PARTS NO.	DESCRIPTION	REMARKS
	9A08811400	OWNER'S MNL, JAPANESE [J]	CEC6P10069700
	9A08811600	OWNER'S MNL, MULTI [US, C, E, UK]	CEC6P10069740
	9A08558800	SUMMARY MNL MULTI [E, UK]	CEC6P12011940
	9A08631900	REMOCON	CEC4U10002617
	9A07089700	BATTERY [J, E, UK]	CEC4D10000700
	9A06849900	PLUG, CORD, RCA	CEC4W20004000
	9A09221600	PLUG, CORD, TOS [J, US, C]	CEC4W20004800

TEAC WIRING DIAGRAM RW-D280

1 2 3 4 5 6 7 8

A
B
C
D
E



TEAC SCHEMATIC DIAGRAM RW-D280 SERVO PCB

1 2 3 4 5 6 7 8

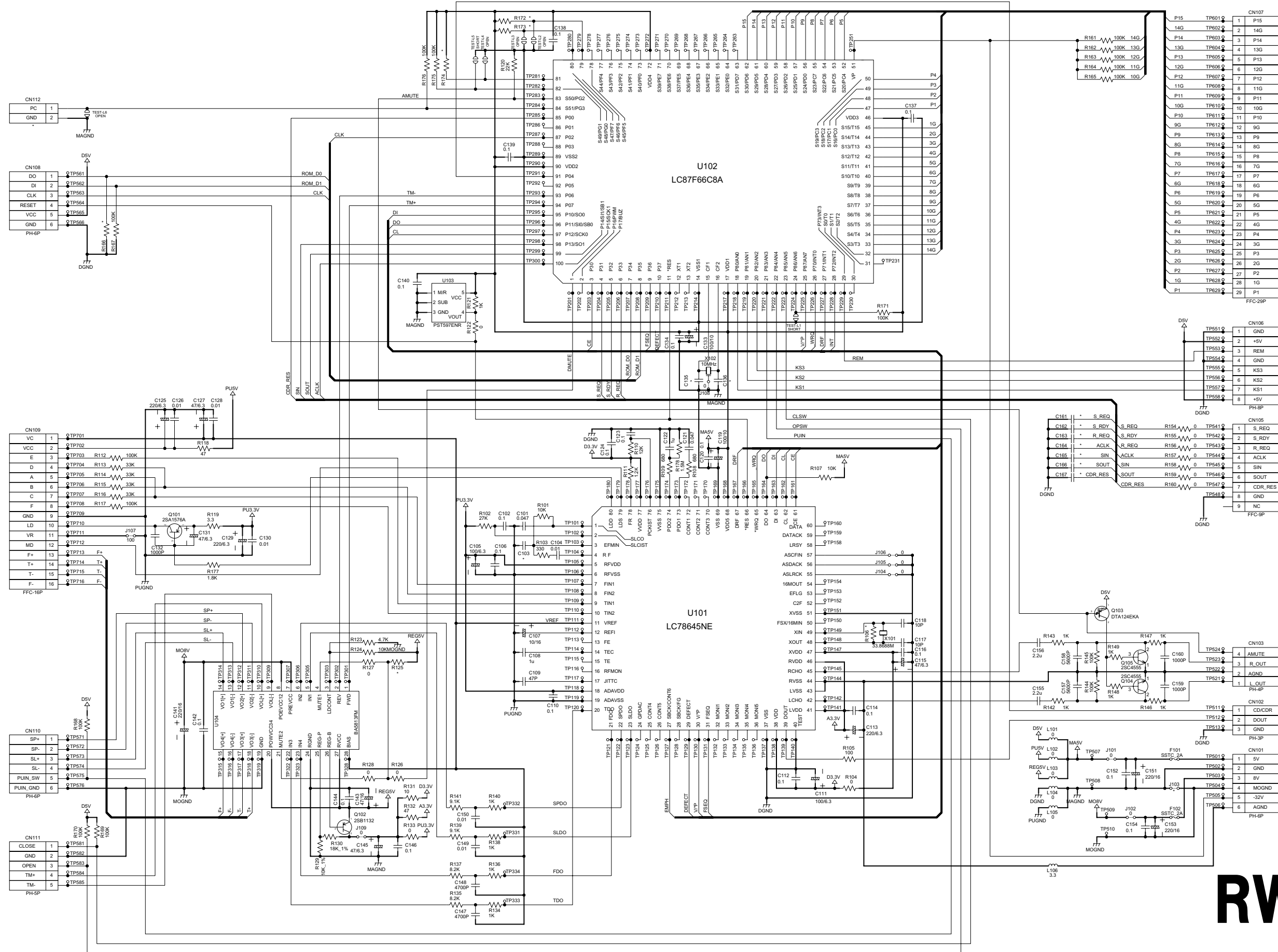
A

B

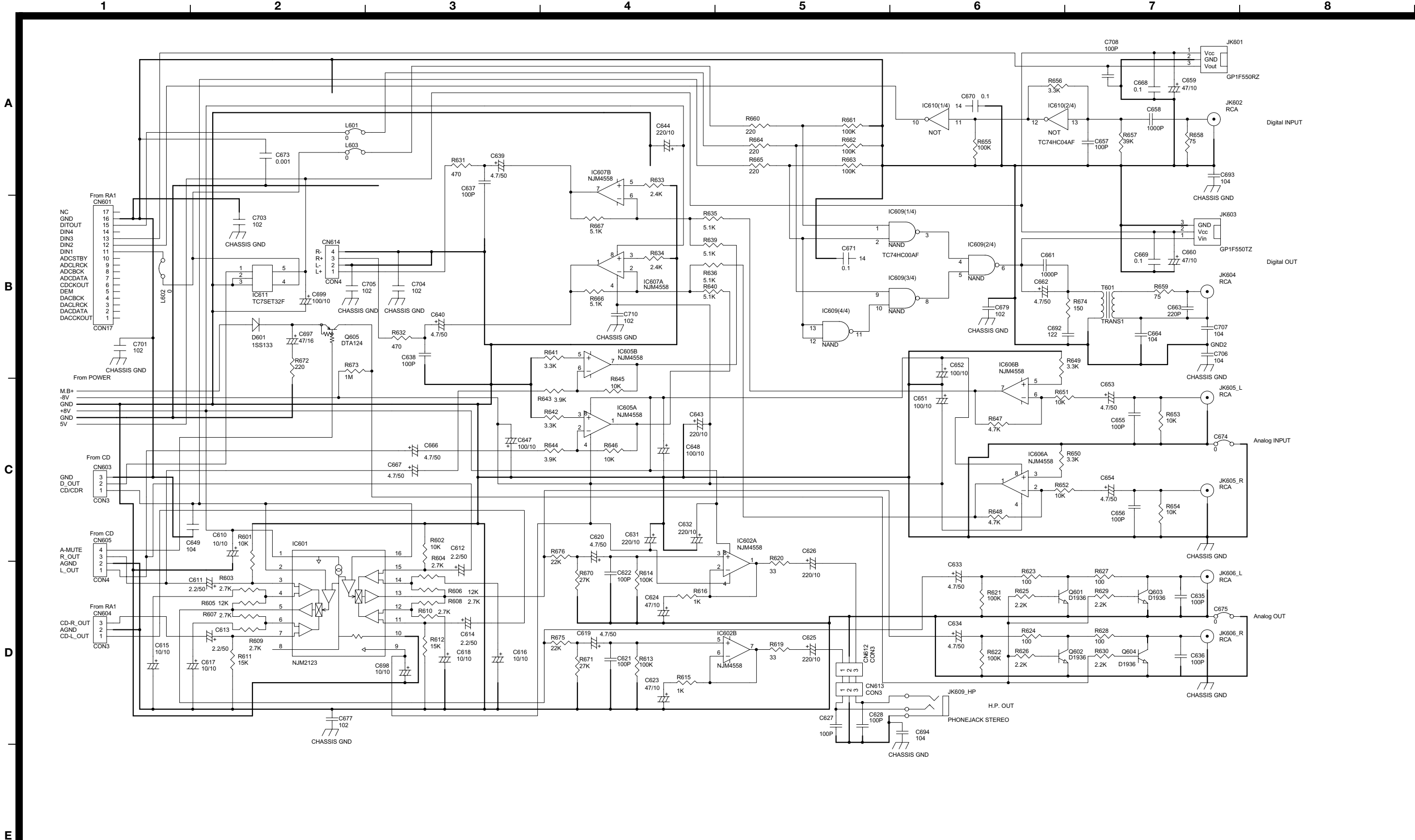
C

D

E



TEAC SCHEMATIC DIAGRAM RW-D280 IN OUT PCB (1/2)/HP PCB



INSTRUCTIONS FOR SERVICE PERSONNEL
BEFORE RETURNING APPLIANCE TO THE CUSTOMER, MAKE LEAKAGE-CURRENT OR RESISTANCE MEASUREMENTS TO DETERMINE THAT EXPOSED PARTS ARE ACCEPTABLY INSULATED FROM THE SUPPLY CIRCUIT.

NOTES:
 1. Resistor values are in ohms (k=kilo-ohms, M=megohms).
 2. Capacitor values are in microfarads (p=picofarads).
 3. Δ Parts marked with this sign are safety critical components. They must always be replaced with identical components—refer to the appropriate parts list and ensure exact replacement.

注意
 1. 抵抗の単位は Ω (k=k Ω , M=M Ω)です。
 2. コンデンサの単位は μF (p=pF)です。
 3. Δ マークのある部品は安全規格重要部品です。交換するときは必ずティアップ指定の部品を使用してください。

TEAC SCHEMATIC DIAGRAM RW-D280 DISPLAY PCB/KEY PCB

1

2

3

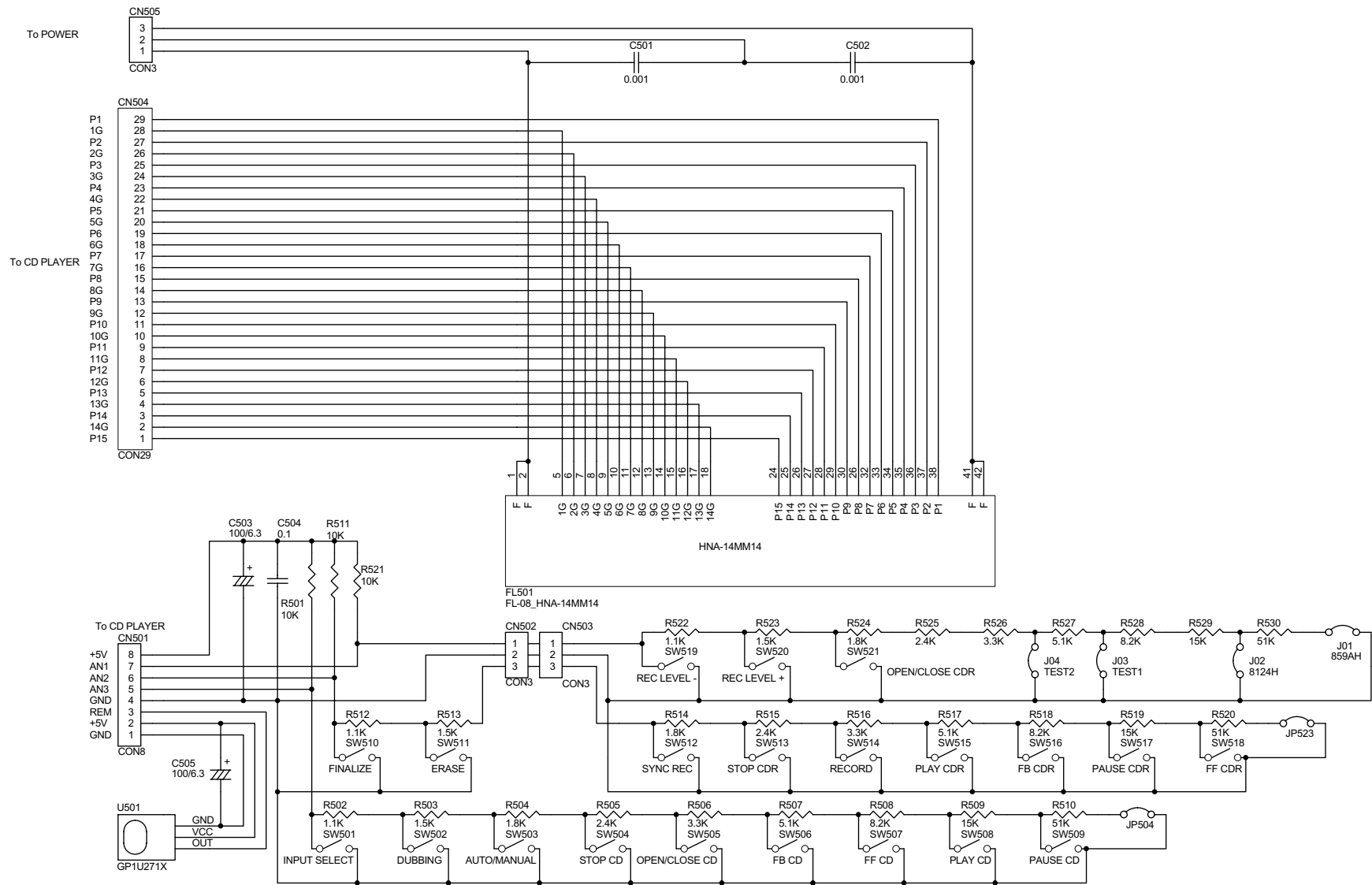
4

5

A

B

C



INSTRUCTIONS FOR SERVICE PERSONNEL
BEFORE RETURNING APPLIANCE TO THE CUSTOMER, MAKE LEAKAGE-CURRENT OR RESISTANCE MEASUREMENTS TO DETERMINE THAT EXPOSED PARTS ARE ACCEPTABLY INSULATED FROM THE SUPPLY CIRCUIT.

NOTES:

1. Resistor values are in ohms (k=kilo-ohms, M=megohms).
2. Capacitor values are in microfarads (p=picofarads).
3. Δ Parts marked with this sign are safety critical components. They must always be replaced with identical components—refer to the appropriate parts list and ensure exact replacement.

注意

1. 抵抗の単位は Ω (k=k Ω , M=M Ω) です。
2. コンデンサの単位は μF (p=pF) です。
3. Δ マークのある部品は安全規格重要部品です。交換するときは必ずティアック指定の部品を使用してください。